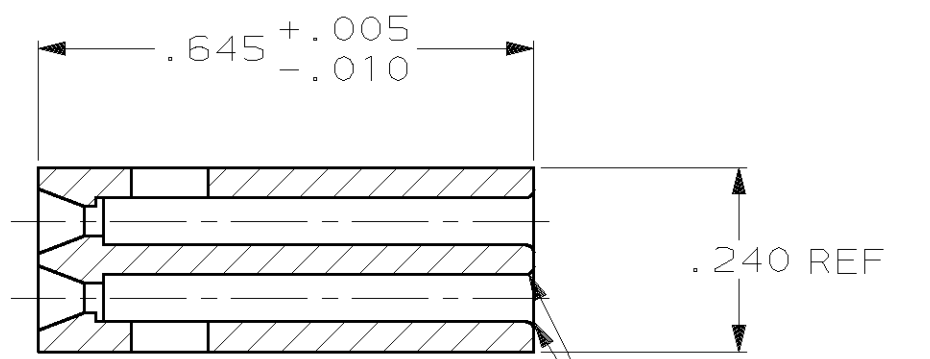
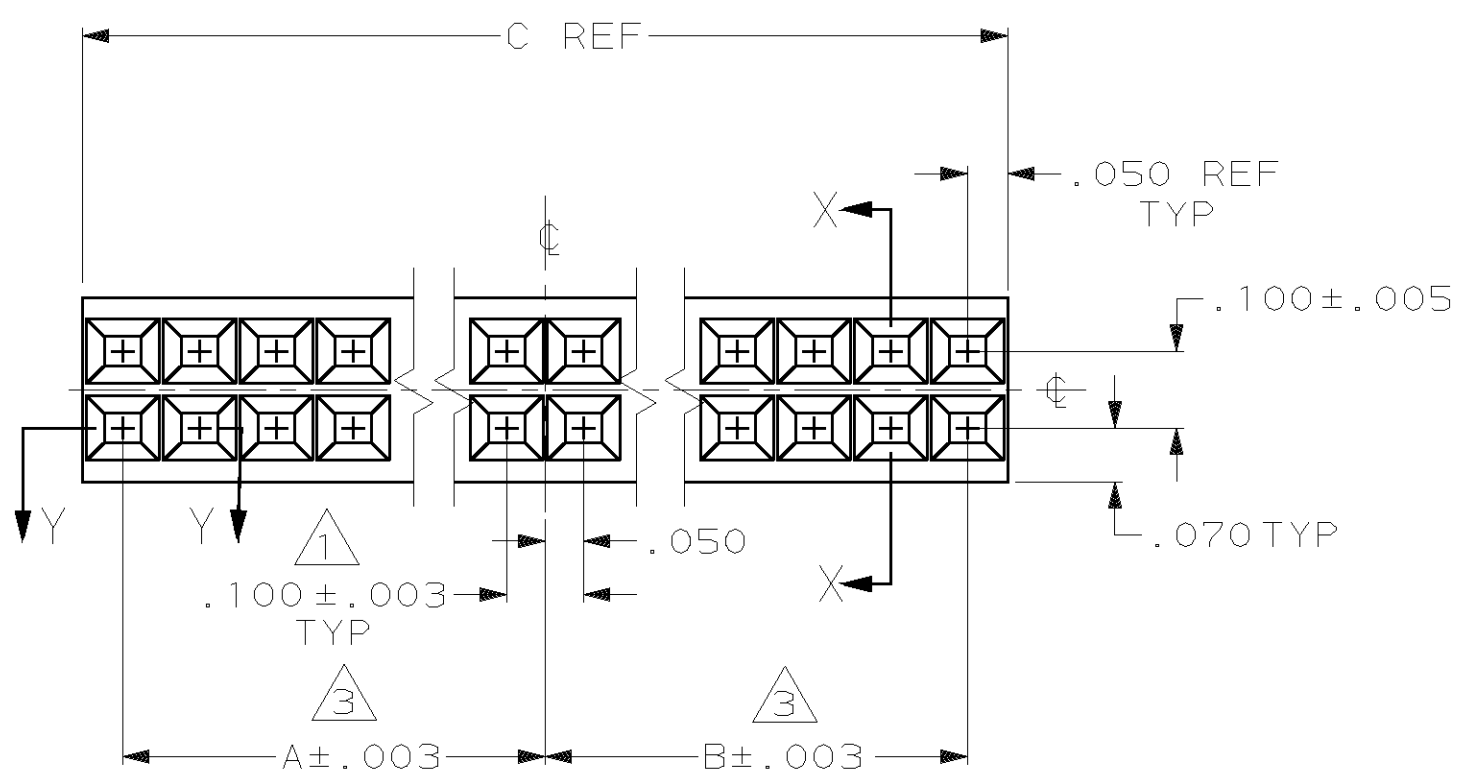
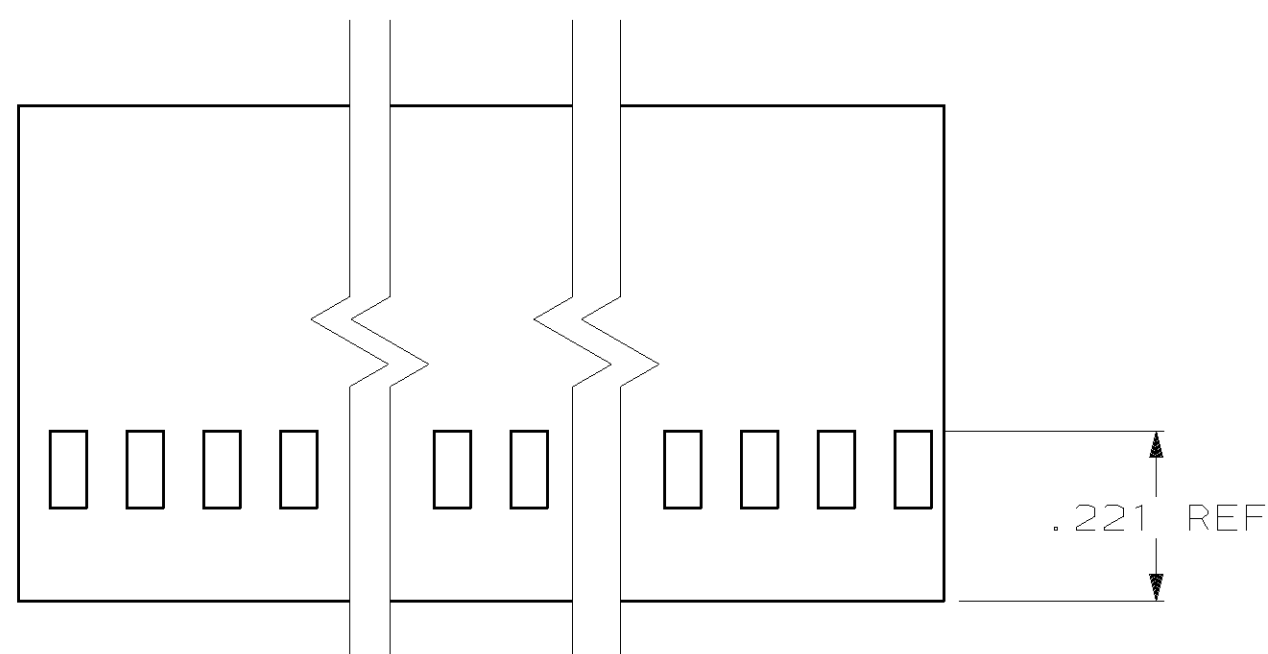


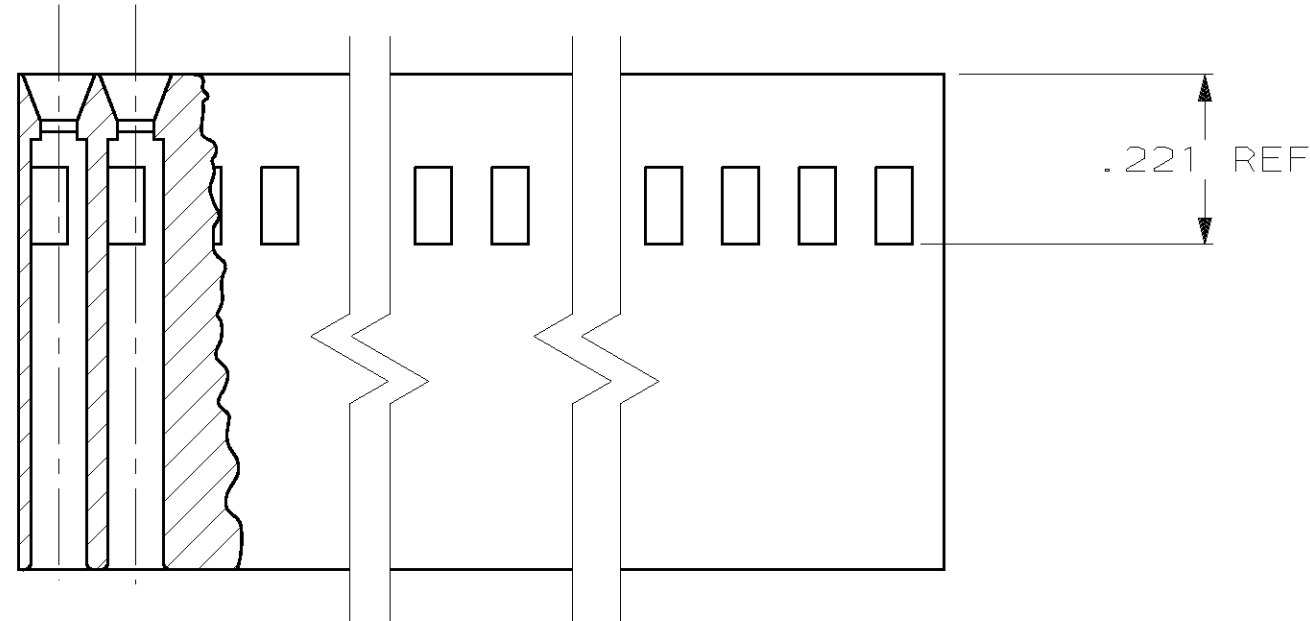
THIS DRAWING IS UNPUBLISHED. RELEASED FOR PUBLICATION  
 © COPYRIGHT 19 BY AMP INCORPORATED. ALL INTERNATIONAL RIGHTS RESERVED.

MOD	LOC	DIS	REVISIONS			
P	F	ZONE	LTR	DESCRIPTION	DATE	APP
30	AD	39	P	REV PER 063C-0203-04	130CT04	JR/D5

- ① CAVITY LOCATION DIMENSIONS INCREASE IN INCREMENTS OF .100 TOLERANCE NON-CUMULATIVE
- ② USE EXTRACTION TOOL 91052 TO REMOVE RECEPTACLE CONTACTS.
- ③ TOLERANCE ON THE "A" & "B" DIMENSIONS FOR 2-86177-2 ONLY IS +.003  
-.004



SECT X-X



SECT Y-Y

C	B	A	NO. OF POS.	PART NUMBER
.200	-	.100	4	2-86177-5
3.500	1.700	1.700	70	2-86177-4
2.400	1.100	1.200	48	2-86177-3
4.600	2.200	2.300	92	2-86177-2
2.500	1.200	1.200	50	2-86177-1
.400	.100	.200	8	2-86177-0
2.600	1.200	1.300	52	1-86177-9
.300	.100	.100	6	1-86177-8
2.200	1.000	1.100	44	1-86177-7
.900	.400	.400	18	1-86177-6
.800	.300	.400	16	1-86177-5
.700	.300	.300	14	1-86177-4
.600	.200	.300	12	1-86177-3
.500	.200	.200	10	1-86177-2
2.000	.900	1.000	40	1-86177-1
1.900	.900	.900	38	1-86177-0
1.800	.800	.900	36	86177-9
1.700	.800	.800	34	86177-8
1.600	.700	.800	32	86177-7
1.500	.700	.700	30	86177-6
1.400	.600	.700	28	86177-5
1.300	.600	.600	26	86177-4
1.200	.500	.600	24	86177-3
1.100	.500	.500	22	86177-2
1.000	.400	.500	20	86177-1

DO NOT SCALE PRINT. UNLESS SPECIFIED DIMENSIONS IN INCHES TOLERANCES ON: 2 PLC DEC ± - 3 PLC DEC ± .005 ANGLES ± 0°30'		DR 9-7-89 BOB BOLES BG		AMP INCORPORATED Harrisburg, Pa. 17105	
MATERIAL GLASS FILLED NYLON COLOR:BLACK PER ASTM D4066		CHK 10-23-89 J. GESFORD			
FINISH COLOR-BLACK		APPD 10-23-89 J. GESFORD		NAME	
APPLICATION SPEC -		APPD 10-23-89 FLINCHBAUGH		MOD IV CRIMP SNAP-IN CONNECTOR, DOUBLE ROW, .100 CENTERS	
WEIGHT -		SIZE <b>C</b>	FSCM NO 00779	DRAWING NO 86177	
		SCALE 4:1	SHEET 1 OF 1		PART NO